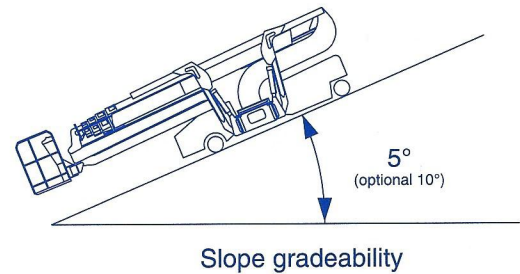
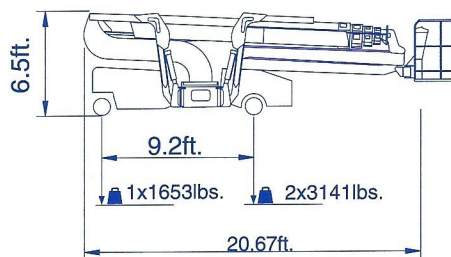
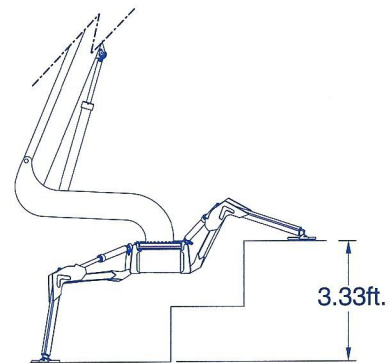
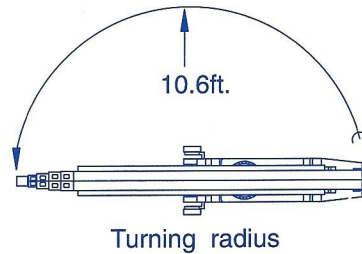
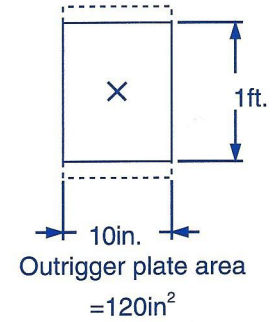
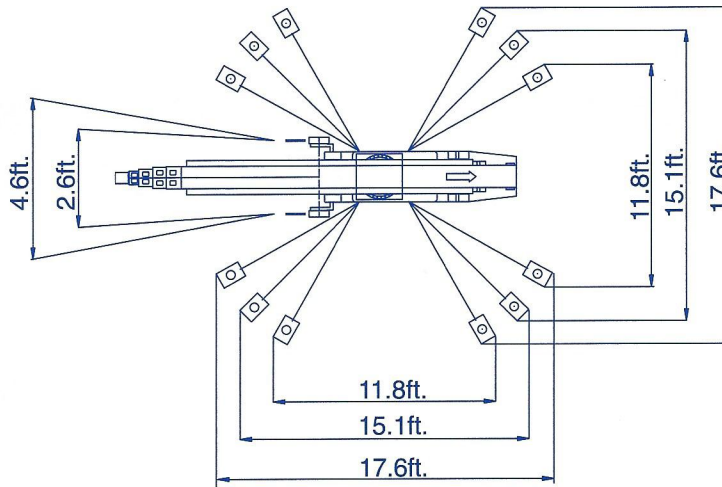
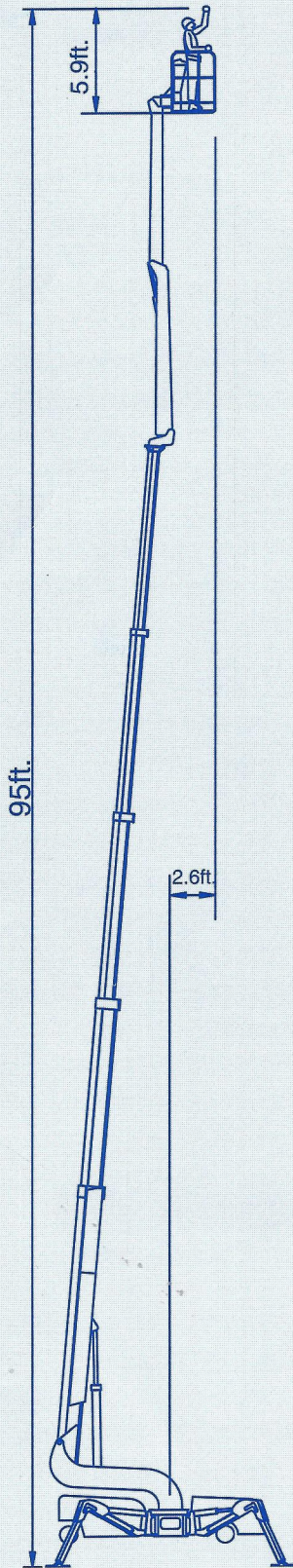




## Outer measurements



## Additional info:

### Weight and ground pressure:

Weight with standard equipment	7937 lbs
Max. ground pressure under 1 wheel	91 psi
Max. ground pressure under 1 outrigger plate	34.1 psi
Front wheel area (depending on wheel type)	1 x approx. 18.1 in <sup>2</sup>
Rear wheel area (depending on wheel type)	2 x approx. 34.6 in <sup>2</sup>



As all our products are in a constant process of development we reserve the right to alterations.